

V pol Groundplane Antenna 146 - 174 MHz

Vertical Polarization

The Schomandl K51262, 711 530 and 711 530N omni-directional groundplane antennas are intended for use in professional fixed-station applications in the 146-174 MHz band.

- Design based on decades of proven reliability.
- Easy installation, no cutting of radials on site necessary.
- Variable mounting configurations allow feeder cable to be run inside or outside the support pipe.
- Stainless steel material for the fastenings.

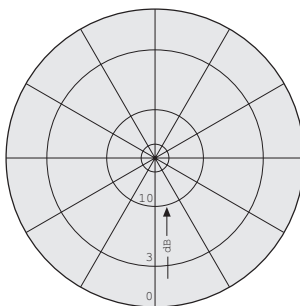
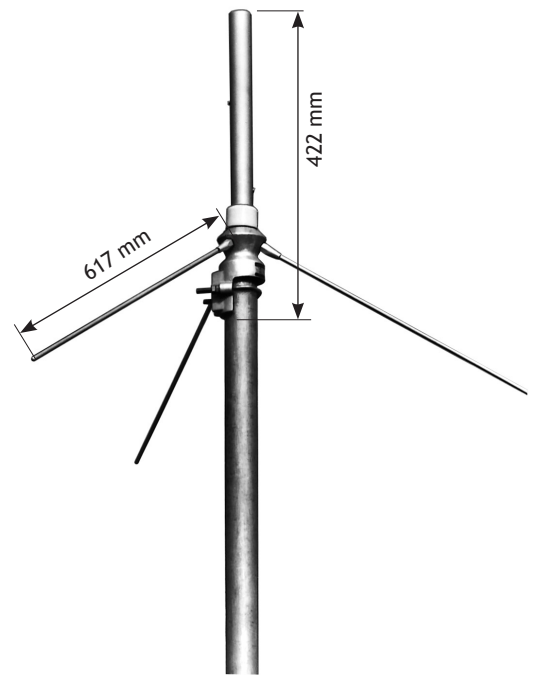
Type No.	Antenna Spare radials	K 51 26 2 K 51 26 20 2	711 530 K 51 26 20 2	711 530N K 51 26 20 2
Input		By means of a cable RG-213/U with termination inside antenna.	N female	N female
Frequency range		146 - 174 MHz		
Gain (ref. $\lambda/2$ dipole)		0 dB		
VSWR		< 1.5		
Impedance		50 Ω		
Polarization		Vertical		
Max. power		170 Watt	700 Watt	700 Watt
		(at 50 °C ambient temperature)		
Weight		1.2 kg		
Wind load		25 N (at 150 km/h)		
Max. wind velocity		200 km/h		
Packing size		654 x 112 x 97 mm		
Radiator length		422 mm		
Length of radials		617 mm		
Order No.		80000013	80000014	80000023

Material: Radiator and radials: Weather-resistant aluminum.
Mounting U-bolt and all screws and nuts: Stainless steel.
Rivet: Seal protected*

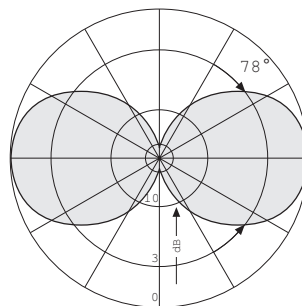
Mounting: The antenna can be attached in two ways with the supplied mounting kit:

1. On the tip of a tubular mast of 40 - 54 mm diameter (connecting cable runs inside the mast).
2. Laterally at the tip of a tubular mast of 20 - 54 mm diameter (connecting cable runs outside the mast).

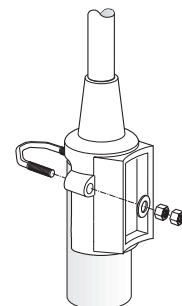
Grounding: - Entire antenna at DC ground potential to prevent electrostatic noise and to improve lightning protection
The inner conductor is capacitively coupled.



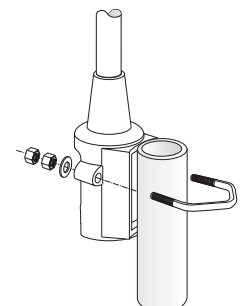
Horizontal Pattern



Vertical Pattern



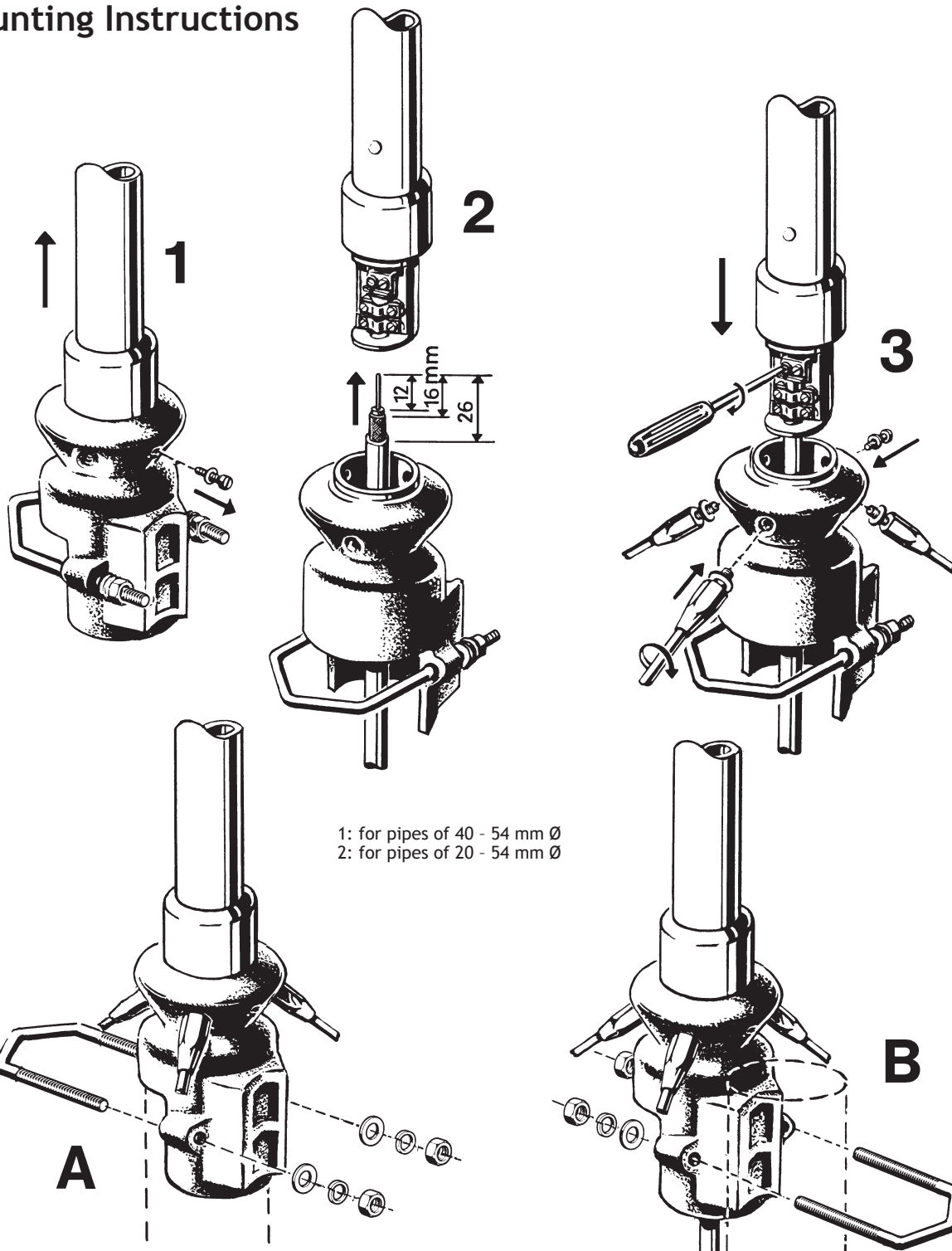
On the tip of a tubular mast



Laterally at the tip of a tubular mast

*for 711 530N

Mounting Instructions



For antennas with N-female connector (jack) we recommend using cable connectors (male plug) with captive inner conductor to avoid damages to the jack-center conductor.